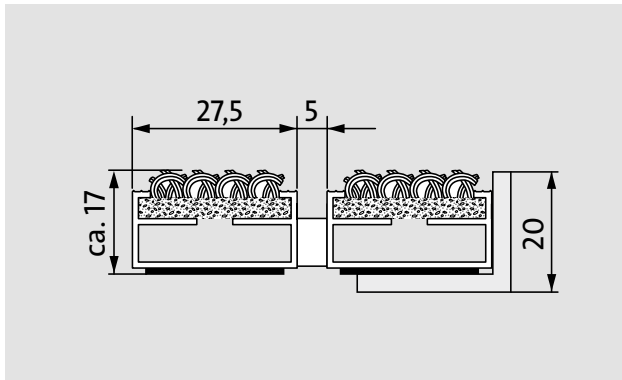


Model 517 R



1 **2** **3** Inside and outside (covered, Zone 2)

The original entrance mat with the effective, coarse-fibre rib insert is exceptionally abrasion resistant and offers maximum dimensional stability. Particularly ideal for collecting fine dirt. Optimally designed for buildings exposed to average to heavy footfall.



Description

Rollable and hard-wearing original entrance mat with standard insert for supported installation options. Customisable widths and walking depths available without a compensation profile. Available in any geometric shape.



Inside and outside (covered, Zone 2)



Street dust, hair, sand, ash, textile fibres, small leaves and twigs, etc.



R 11 slip resistance as per DIN 51130



Colours



Light grey no. 220



Anthracite no. 200



Red no. 305



Brown no. 485



Sand no. 430



emco DIPLOMAT Original With ribbed carpet insert

Model 517 R

Approx. height (mm)	17
Roll-over and drive-over capability:	Wheelchairs Prams Light shopping trolleys hand trolleys
Standard profile clearance approx. (mm)	5 mm, rubber spacers
Automatic door systems	Profile clearance of 3 mm available as an option for revolving door drives, in accordance with EN 16005
Connection	Plastic-coated stainless steel cable
Max. width/profile length for individual section (mm):	3000
Depth/walking depth for individual section (mm):	3000
Weight (kg/m²)	8.4
Mat divisions as per factory standards or customer specifications	As of a profile length of 3000 mm or a maximum mat weight of 45 kg
Support chassis	Made using rigid aluminium with sound absorbing insulation on the underside
Tread surface	Recessed, robust, weather-proof, ribbed carpet strips.
Slip resistance	R 11 slip resistance as per DIN 51130
Flammability	Insert for Light Grey and Anthracite ribbed carpet colours available with fire classification Cf1-s1 as per EN 13501.
Pile material	100% PP (polypropylene)
Colour fastness to artificial light ISO 105-B02	good 6
Colour fastness to rubbing ISO 105 X12	good 4
Colour fastness to water ISO 105 E01	good 5

Suitable for:

Residential and care homes
medical practice
Offices and administrative buildings
Family home
Retail sector
Hotel
Kindergarten/Nursery
Apartment building
School
Sports hall

TÜV PROFICERT product Interior (Standard)

French VOC regulation
LEED v4 (outside North America)
BREEAM Exemplary Level
Belgian VOC regulation
AgBB (Committee for Health-related Evaluation of Building Products)
MVV TB Appendix 8, 9 / ABG

emco DIPLOMAT Original With ribbed carpet insert

Model 517 R

Service and services

Construction site advice

Dimensioning

Measured using laser measuring device on site.

Installation service

Fitting and installation service

Ribbed carpet strips can be subsequently replaced on site by a emco service engineer (mobile ribbed carpet replacement machine).

Repairs

The product can be disposed of or recycled in an environmentally friendly way.

Accessories

emco installation frame 500: 500-20 AL Aluminium

emco installation frame 500: 500-20 CN Chrome-nickel steel (V2A)

emco ramp edge: A17 Aluminium

emco T-profile: T17

emco cover strip: C17 Chrome-nickel steel (V2A)

emco INOX®: LINEO 17 Chrome-nickel steel (V2A)

emco INOX®: QUADRO 17 Chrome-nickel steel (V2A)

Rubber underlay 1 mm: GU 1

Rubber underlay 3 mm: GU 3

Rubber underlay 5 mm: GU 5

Mat joining brackets: MV Supplied as standard with mats in several parts

Subject to technical modifications

emco Bautechnik GmbH · Breslauer Straße 34 - 38 · D-49808 Lingen (Ems) ·
Phone: +49 (0) 591/9140-500 · Fax: +49 (0) 591/9140-852 · Email: bau@emco.de
· www.emco-bau.com

