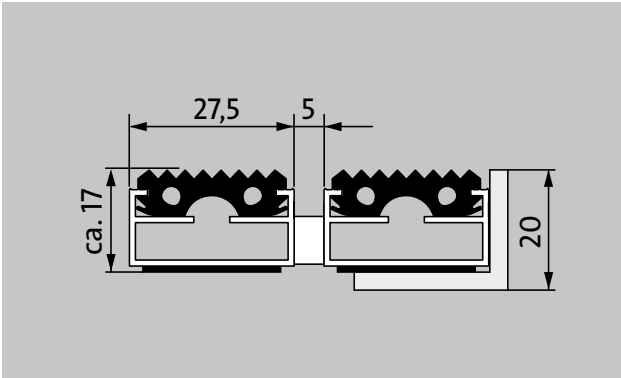


Model 517 G



1 **2** **3** Outside (Zone 1)

The original entrance mat with the profiled rubber insert for noticeably thorough removal of coarse dirt. Optimally designed for buildings exposed to average to heavy footfall.



Description

Rollable and hard-wearing original entrance mat with standard insert for supported installation options. Customisable widths and walking depths available without a compensation profile. Available in any geometric shape.



Outside (Zone 1)



Street dust, hair, sand, ash, textile fibres, small leaves and twigs, loose chippings, coarse sand, small gravel particles



R 9 slip resistance as per DIN 51130



emco DIPLOMAT Original With rubber insert

Model 517 G

| | |
|--|--|
| Approx. height (mm) | 17 |
| Roll-over and drive-over capability: | Prams Sack-/hand truck Wheelchairs Light shopping trolleys hand trolleys |
| Standard profile clearance approx. (mm) | 5 mm, rubber spacers |
| Automatic door systems | Profile clearance of 3 mm available as an option for revolving door drives, in accordance with EN 16005 |
| Connection | Plastic-coated stainless steel cable |
| Max. width/profile length for individual section (mm): | 3000 |
| Profile width (mm) | 27.5 |
| Depth/walking depth for individual section (mm): | 3000 |
| Weight (kg/m²) | 12,9 |
| Mat divisions as per factory standards or customer specifications | As of a profile length of 3000 mm or a maximum mat weight of 45 kg |
| Support chassis | Made using rigid aluminium with sound absorbing insulation on the underside |
| Tread surface | Recessed, robust, weather-proof profiled rubber inserts. |
| Slip resistance | R 9 slip resistance as per DIN 51130 |
| Flammability | Complete mat system available on request (surcharge applicable) with fire classification Cfl-s1 according to EN 13501. |

Accessories

| |
|--|
| emco installation frame 500: 500-20 AL Aluminium |
| emco installation frame 500: 500-20 CN Chrome-nickel steel (V2A) |
| emco ramp edge: A17 Aluminium |
| emco T-profile: T17 |
| emco cover strip: C17 Chrome-nickel steel (V2A) |
| emco INOX®: LINEO 17 Chrome-nickel steel (V2A) |
| emco INOX®: QUADRO 17 Chrome-nickel steel (V2A) |
| Rubber underlay 1 mm: GU 1 |
| Rubber underlay 3 mm: GU 3 |
| Rubber underlay 5 mm: GU 5 |
| Mat joining brackets: MV Supplied as standard with mats in several parts |

Suitable for:

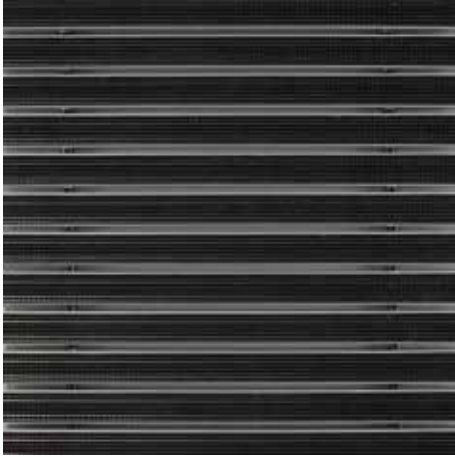
| |
|--------------------------------------|
| Residential and care homes |
| medical practice |
| Offices and administrative buildings |
| Family home |
| Retail sector |
| Hotel |
| Kindergarten/Nursery |
| Apartment building |
| School |
| Sports hall |

Service and services

| |
|--|
| Construction site advice |
| Dimensioning |
| Measured using laser measuring device on site. |
| Installation service |
| Fitting and installation service |
| Repairs |
| The product can be disposed of or recycled in an environmentally friendly way. |

Model 517 G

Colours



Rubber

Subject to technical modifications

emco Bautechnik GmbH · Breslauer Straße 34 - 38 · D-49808 Lingen (Ems)
· Germany · Phone: +49 (0) 591/9140-500 · Fax: +49 (0) 591/9140-852 · Email:
bau@emco.de · www.emco-bau.com

