

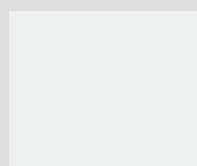


DIVINA F | FINISHES

PANELS

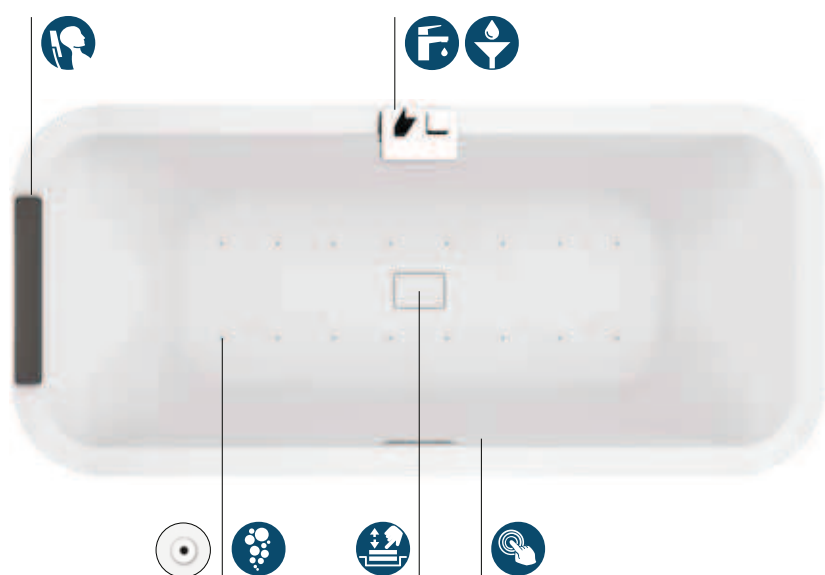


Shiny white



Matt white

DIVINA F | FUNCTIONS AND EQUIPMENT (available depending on the model)



Airpool massage (16 jets) air-jet with manual on / off or sequential programm, for an **effective cellular stimulation**.



Ignition Soft Touch



Head rest



Bath mounted mixer and Drop save drainpipe



Click-Click waste column





Airpool Hydromassage oxygenates and regenerates skin cells



Stainless steel ring with shelf and towel holder



Bath mounted mixer and drop save drainpipe

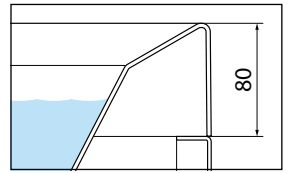


Soft-touch ignition with capacitive control on the edge of the bathtub




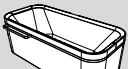
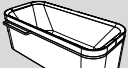
DIVINA F

DIVINA F



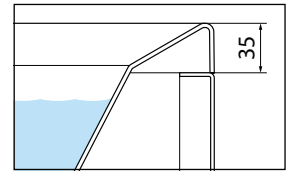
RIM - 8 CM



Dimensions		Capacity	Code	Select mixer + bathtub finish			
cm	H	lt.		Waste column (without mixer)		Waste column + Bath mounted mixer	
				Shiny white	Soft white	Shiny white	Soft white
STANDARD BUILT-IN							
				-A	-U	2-A0K	2-U0K
180 x 80	63	300	DI11808C				
STANDARD WITH FRAME							
				-A1A	-U1U	2-A1A	2-U1U
180 x 80	63	300	DI21808C				
HYDRO AIR							
				0-A1A	0-U1U	2-A1A	2-U1U
180 x 80	63	300	DIY1808C0				

FOR ALL OPTIONS SEE PAGE 543, 544, 545

DIVINA F B35



RIM - 3,5 CM



Dimensions		Capacity	Code	Select mixer + bathtub finish			
cm	H	lt.		Waste column (without mixer)		Waste column + Bath mounted mixer	
				Shiny white	Soft white	Shiny white	Soft white
STANDARD BUILT-IN							
				-A	-U	2-A0K	2-U0K
180 x 80	63	300	DI11898C				

FOR ALL OPTIONALS SEE PAGE 543, 544, 545

ACCESSORIES IN OPTION

HEAD REST IN EVA* for Divina and Divina O



Code

Price

POGDIV

HEAD REST IN EVA * for Divina C

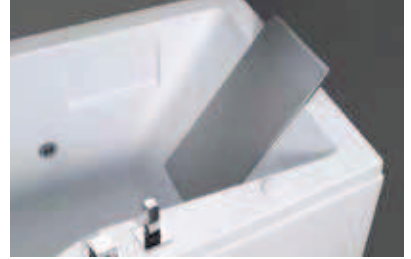


Code

Price

POGDIVC

HEAD REST IN EVA* for Iris in recess version



Code

Price

POGIRIN

HEAD REST IN EVA* for Calos 2.0



Code

Price

POGCA1

HEAD REST IN EVA * for Calypso



Code

Price

POGCAL

HEAD REST IN EVA* for Vogue

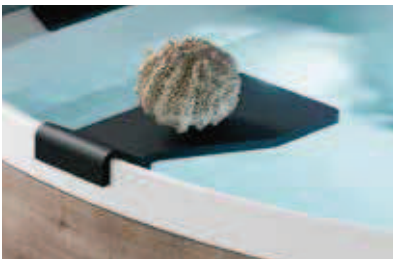


Code

Price

POGVOG

ON DECK MOUNTED SHELF for Divina, Divina C, O and F



Code

Price

R90PODIV

ON DECK MOUNTED SHELF for Divina and Divina F



Width

Code

Price

70 cm

R90VADIV70

75 cm

R90VADIV75

80 cm

R90VADIV80

90 cm

R90VADIV90

BATH EDGE PROFILE



Dimensions

Code

Price

1 side

185 cm

PRV185-30

2 lati

185x85 cm

PRV18585-30

3 lati

85x185x85 cm

PRV8518585-30

*EVA is a non-toxic, antibacterial and waterproof material

OPTIONAL ACCESSORIES

BATH EDGE PROFILE



Code	Price
PRVA2-A	

KIT OF 2 RIGID FINISHING PROFILES IN PLASTIC 195 CM



Code	Price
PRVA195-30	

DRIP-PROOF DRAIN PIPE



Code	Price
R90SCDOCBV	

for Iris, Calos 2.0, Una, Vogue, Venus, Calypso

WASTE COLUMN

for bathtub without bath filler



Code	Price
COLSCAVK-K	

DRAIN COLUMN WITH INLET

for bathtub with bath filler



Code	Price
COLSCAE-K	

INSPECTION PANEL

for built-in bathtub 60x33x2 cm



Code	Price
PANISPEL-A	

IRIS, CALOS 2.0, UNA, VOGUE, VENUS, CALYPSO, BABY

Code	Price
PANISP-A	

SUPPORT BARS FOR ADJUSTABLE FEET SUITABLE FOR BATHTUBS WITHOUT FRAME

for Sense, Iris, Calos 2.0



Code	Price
PIEDVASCA	

SUPPORT BARS FOR ADJUSTABLE FEET

for Divina, Calos 2.0, Una, Vogue, Venus, Calypso



Code	Price
PIEDVASCA70	
PIEDVASCA75	
PIEDVASCA80	
PIEDVASCA90	
PIEDVASCA100	

KIT BATH SCREEN DIVINA

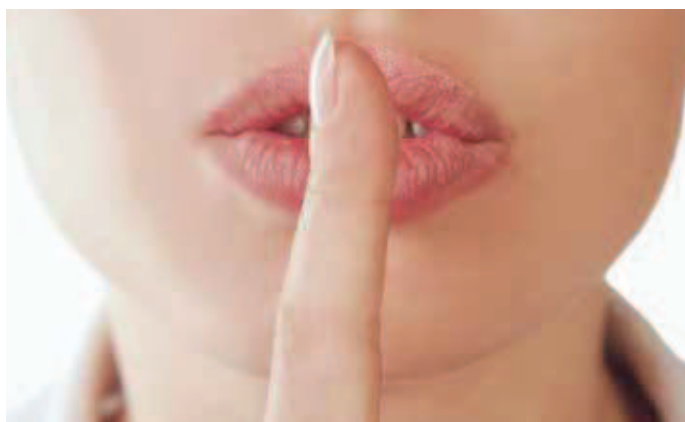


Regarding bath screen Divina please order::

**1 bath screen Young 2.0 1V or 1BSV
+1 bathtub kit**

see page 281

KIT **HYDROSILENCE**



DIVINA DUAL

Dimensions	Structure	Code	Price
190 x 140	1 Panel	KUSDIV1F19014	
190 x 140	2 Panels	KUSDIV1FL19014	
190 x 140	3 Panels	KUSDIV1F2L19014	
190 x 140	4 Panels	KUSDIV2F2L19014	

DIVINA C

Dimensions	Structure	Code	Price
140 x 140	1 Panel	KUSDIVC	

DIVINA O

Dimensions	Structure	Code	Price
165 X 98	1 Panel	KUSDIVO	

DIVINA 160/170

Dimensions	Structure	Code	Price
160/170	4 Panels	KUSDIV2F2L160	

DIVINA 180/190

Dimensions	Structure	Code	Price
180/190	4 Panels	KUSDIV2F2L190	

DIVINA - SENSE 3-4

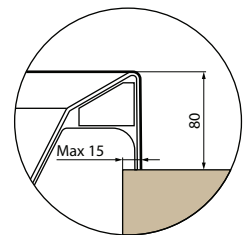
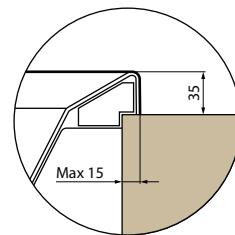
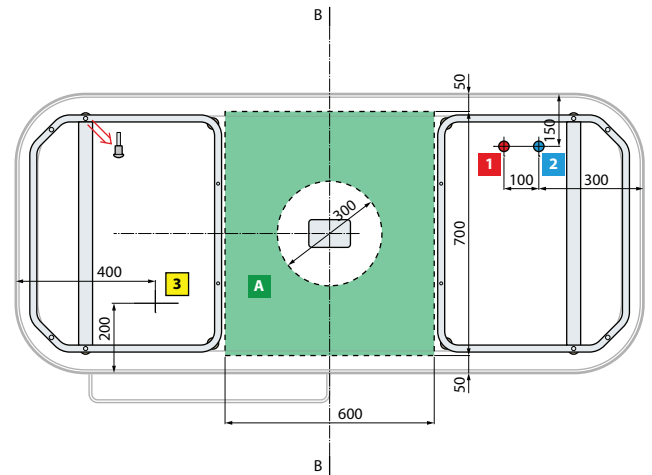
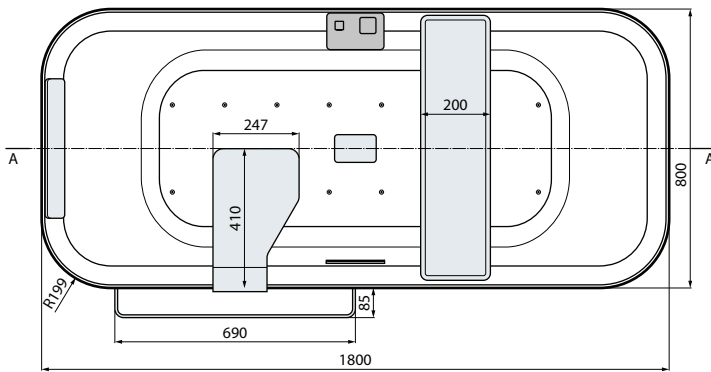
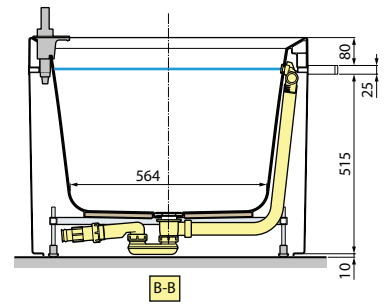
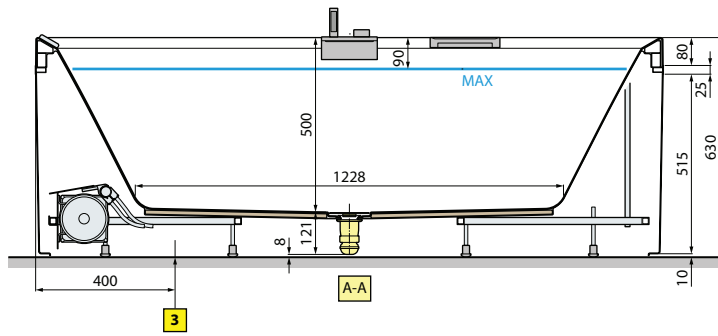
Structure	Code	Price
3 Panels	KUSDIV1F2L	

DIVINA - SENSE 3-4 CORNER

Structure	Code	Price
2 Panels	KUSDIV1F1L	

DIVINA - SENSE 3-4 IN RECESS

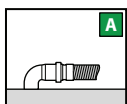
Structure	Code	Price
1 Panel	KUSDIV1F	



IN RECESS VERSION

Capacity litres

300



HYDRAULIC CHARACTERISTIC

16 Airpool jets
Siphon connection 1 1/2"

ELECTRICAL CHARACTERISTIC

Tension: 220-230 V
Frequency: 50 Hz
Maximum power consumption:
Airpool 400 W

Install a 30mA differential switch upstream of the appliance with a multiple-pole switch with a minimum contact opening ≥ 3 mm.